


## PRODUCT SHEET

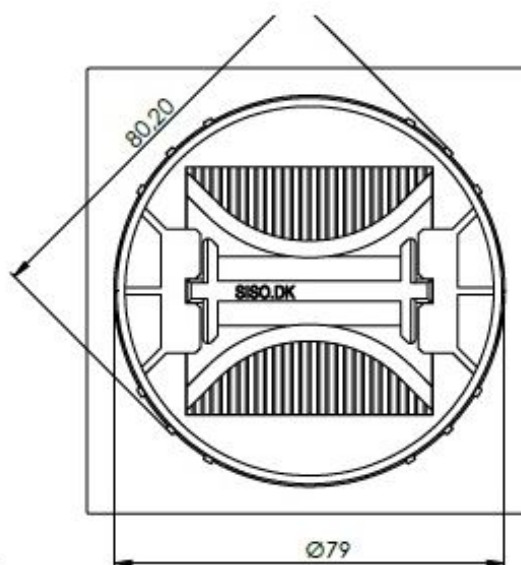
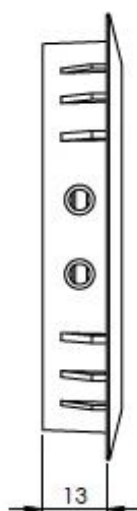
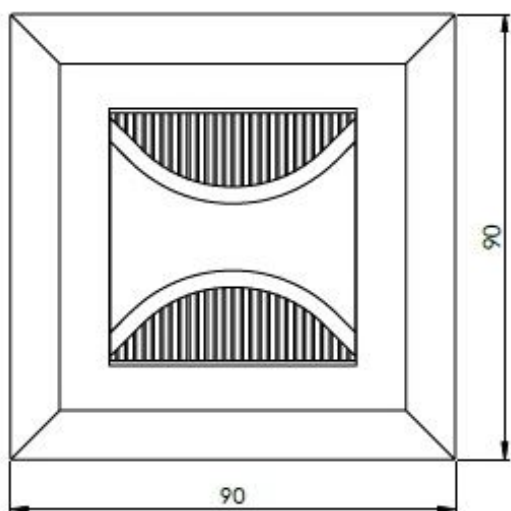
### Description:

Grommet "Soul", Zamak, ø80x13mm, Alu, Butterfly Lid Top W/ Brush, Butterfly Design

### Item number:

25.20.462-0

Units	Box	Carton	HS Code	Barcode
Pcs.	1	100	8302420090	
				5704866091978



### SISO A/S

Mileparken 11  
DK-2740 Skovlunde  
Denmark  
VAT: DK 24786013

Phone +45 45 830 900

[www.siso.dk](http://www.siso.dk)  
[siso@siso.dk](mailto:siso@siso.dk)

Danske Bank  
Nytorv Branch  
Copenhagen  
SWIFT: DABADKKK

Account no.  
4180 3112 112936  
IBAN Account  
DK7230003112112936